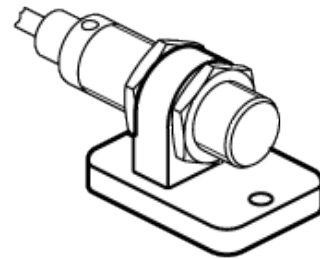
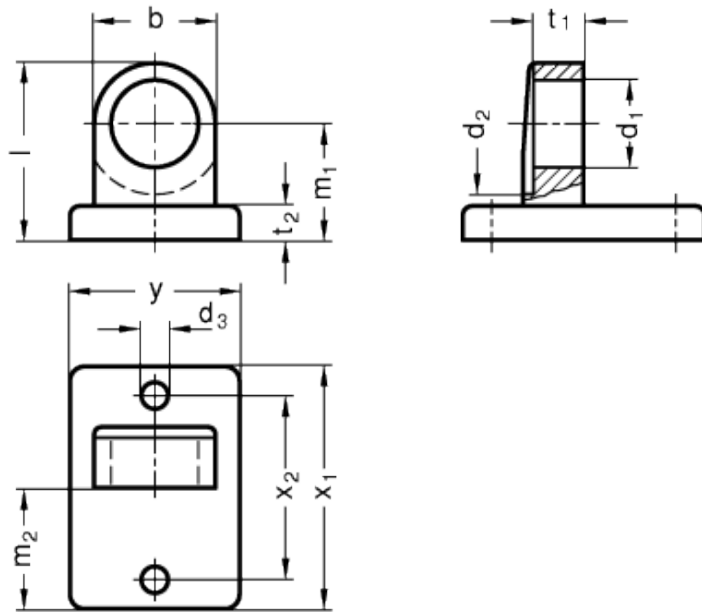
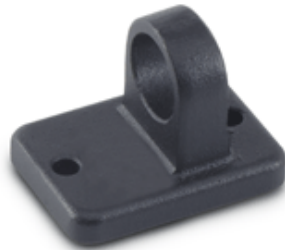


GN 271.4

Sensor holders



technical informations

Material
Aluminium.

Finish

Version SW: RAL 9005 black colour, matte finish, epoxy resin coating.

Standard Elements	Main dimensions												Weight
Description	d ₁	b	d ₂	d ₃	l	m ₁	m ₂	t _{1 -0.5}	t ₂	x ₁	x ₂	y	g
GN 271.4-B12-25-SW	B 12	25	30	5.5	36.5	24	25	11.5	7	50	38	35	40



STANDARD MACHINE ELEMENTS WORLDWIDE